

► PRR660

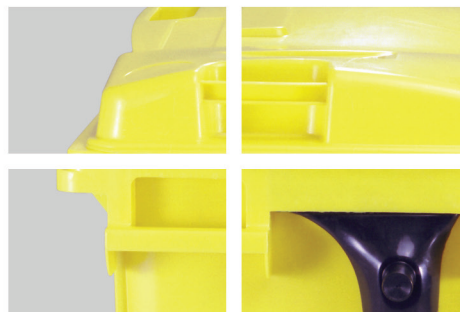
Four-wheeled Plastic Waste Bin



Specifications:

Material	HDPE Inj. Grade + UV Stabilizer
External Dimension	1400 x 760 x 1200 mm
Wheels/Casters	4 guide casters
Capacity	660 Ltr
Payload	265 Kg
Bin Weight	38 Kg (±3%)
40' HC Cntr/88 m ³ TRK Capacity	192 / 224 Pcs

More details:

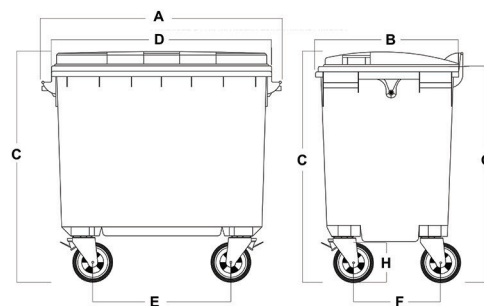


Properties:

- Container corresponds to: EN 840 1-6
- Flat lid
- Casters:
 - 4 guide casters
 - 2 Casters with brake
 - 2 Casters without brake
- Receiver: comb lift, trunnions
- Recyclable waste for public places
- Easy handling to carry around
- Smooth lid for opening & closing

Customization:

- Any standard RAL color
- Silk screen logo on body or lid
- Labeling on lid or body
- Foot pedal mechanism
- Traffic stickers
- Numbering sequence



A: 1400 mm
B: 760 mm
C: 1200 mm

D: 1200 mm
E: 730 mm
F: 500 mm

G: 1000 mm
H: 200 mm

